



SKD120/130

!

( )

( )

1.	.....	1
	.....	1
	.....	3
	.....	4
	.....	5
	.....	5
	.....	6
	.....	6
2.	.....	8
	.....	8
	crash	8
	- 1	8
	ride	10
	2 3	10
	.....	10
	.....	11
3.	.....	13
	.....	13
	.....	14
	.....	15
4.	.....	15
	.....	15
	.....	16
	MP3/CD	16
	.....	17
	MIDI	17
	.....	17
5.	.....	18
	.....	18
	.....	18
	.....	19
	.....	19
	.....	19
	.....	20

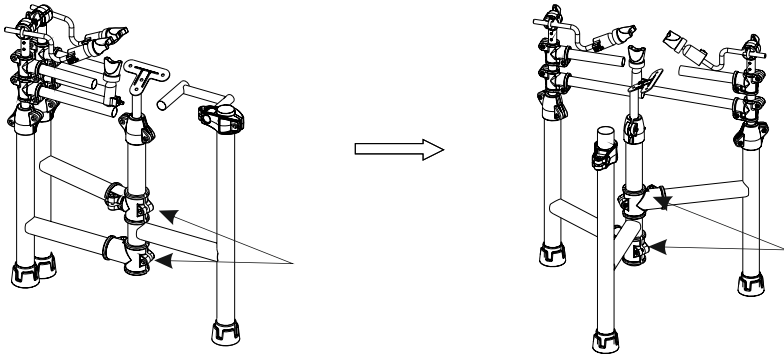
.....	20	
.....	20	
.....	20	
.....	21	
.....	21	
.....	21	
.....	21	
.....	22	
.....	22	
.....	22	
( )	22	
.....	22	
.....	22	
.....	22	
6.	.....	23
	.....	23
	.....	23
7.	.....	23
	.....	23
	.....	24
	.....	24
	.....	24
	.....	25
	.....	25
8.	.....	26
9.	MIDI	26
	MIDI	26
	.....	26
	.....	26
	MIDI	27
	.....	27
10.	.....	28
11.	.....	28
12.	.....	29
13.	.....	30
14.	GM	36
15.	.....	38

1.

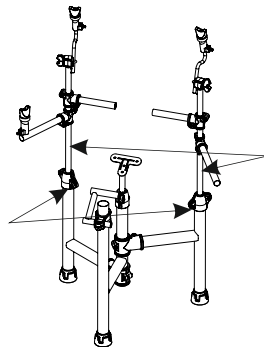
-  
-

1).  
2).  
3).

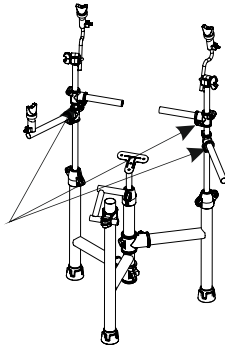
120



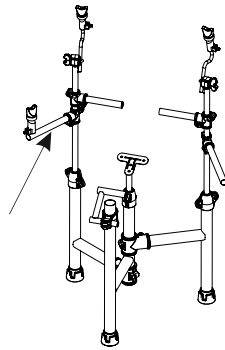
4).  
5).  
6).



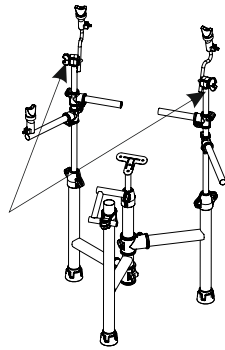
7).  
8).  
9).



- 10).
- 11).
- 12).

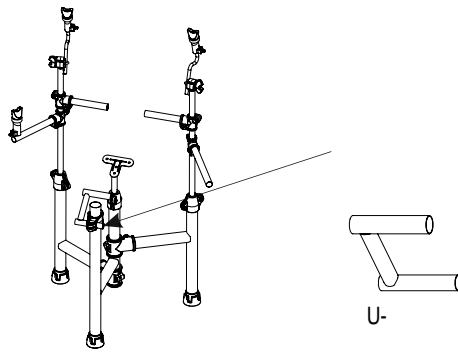


- 13).
- 14).
- 15).

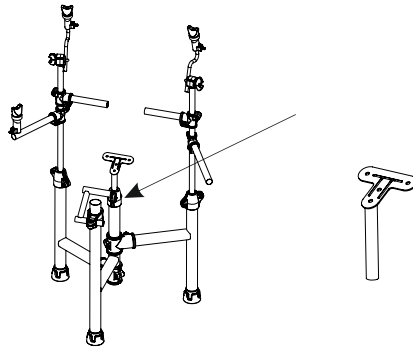


- 16).
- 17).
- 18).

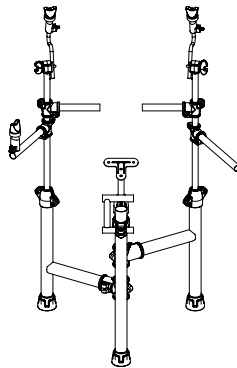
U-



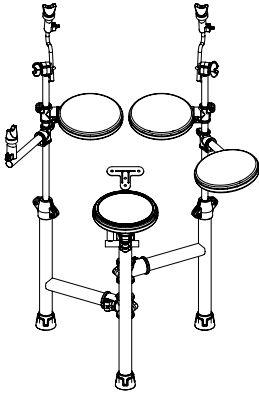
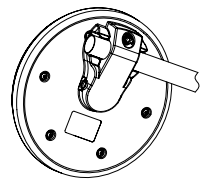
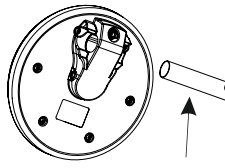
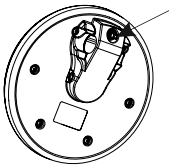
- 19).
- 20).
- 21).



- 22).
- 23).



- 1).
  - 2).
  - 3).
- 3 ( 3) (snare).

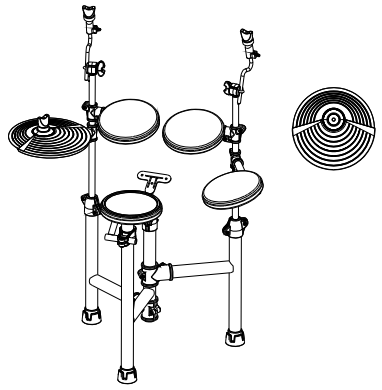
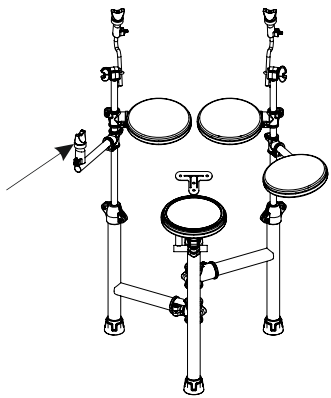


TOM



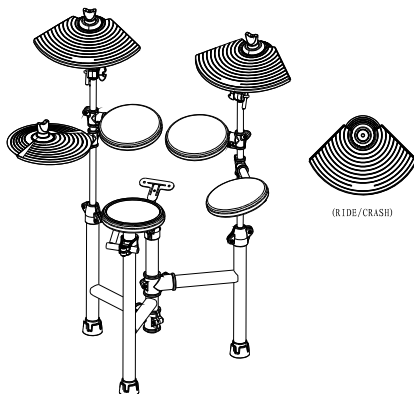
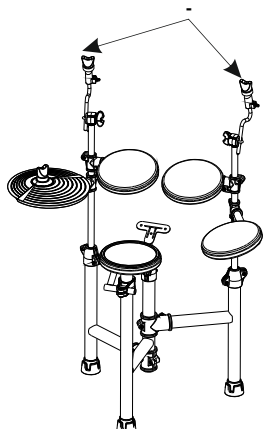
SNARE

- 1.
- 2.
- 3.

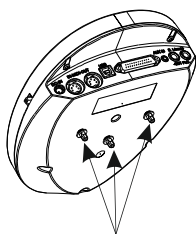


- 4).
- 5).
- 6).

CRASH/RIDE

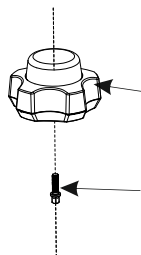


- 1).
- 2).
- 3).

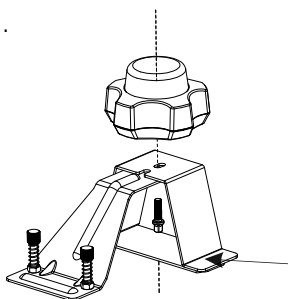


( SKD 130)

- 1).
- 2).
- 3).
- 4).



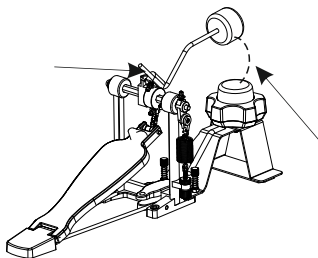
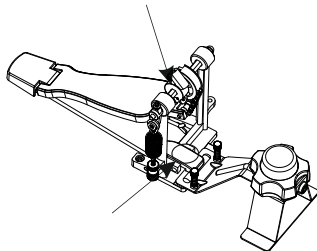
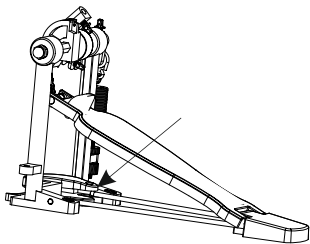
28



- 5).
- 6).

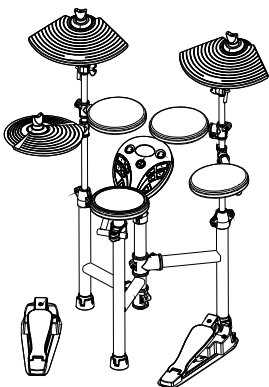


- 7).
- 8).

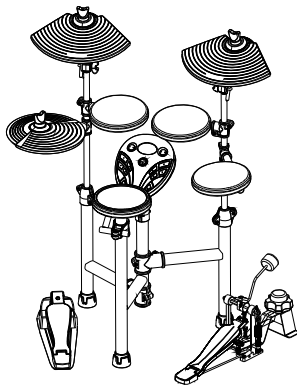


- 1)
- 2)

: SKD 120



SKD120

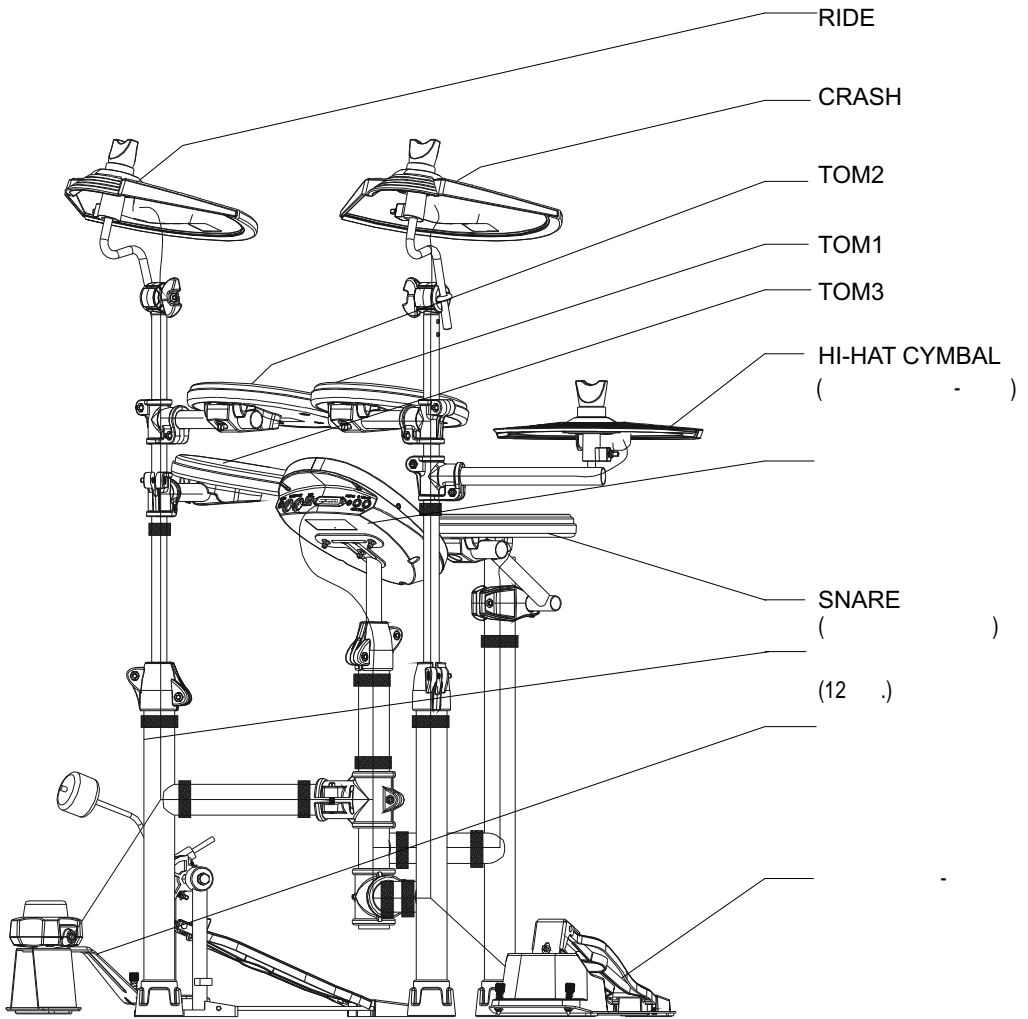


SKD130

- 1).
- 2).

D-SUB

(12 .)

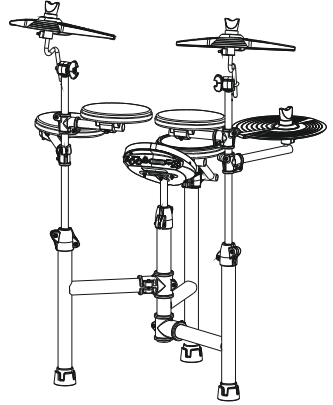


# 2.

---

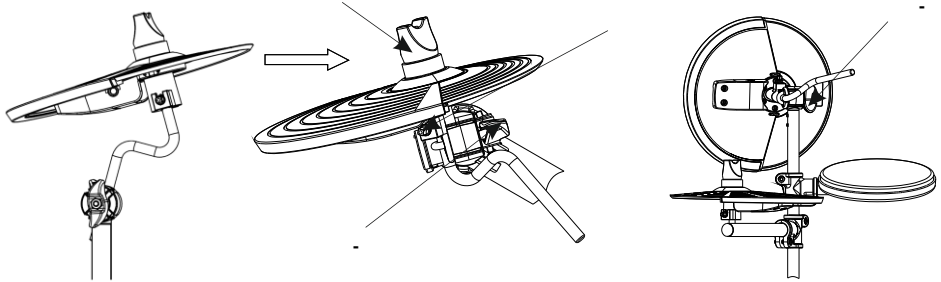
- 1).
- 2).
- 3).
- 4).
- 5).
- 6).
  
- 7).

SKD130



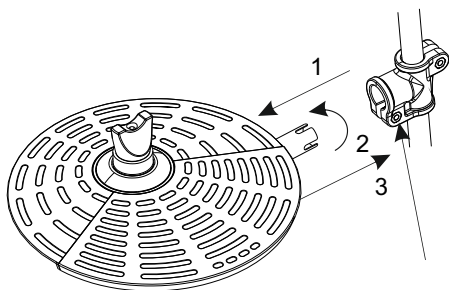
# CRASH

- 1).
- 2).
- 3).
- 4).



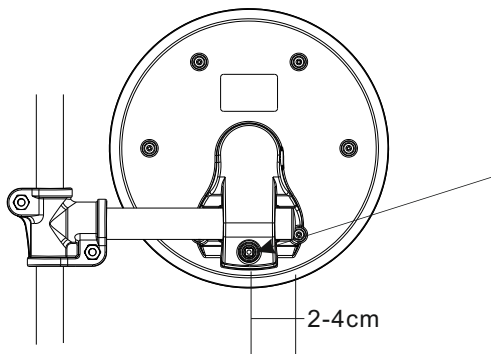
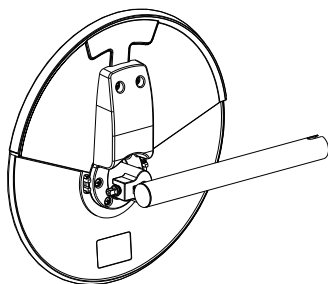
# TOM 1

- 1).
- 2).                                 1,                                 90                                 2,
- 3).                                 (                                 ).                                 )



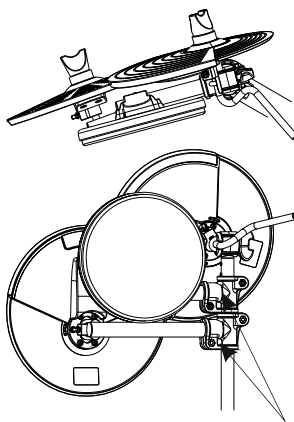
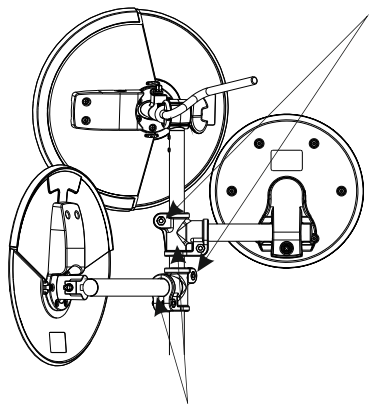
4).  
5).

1.



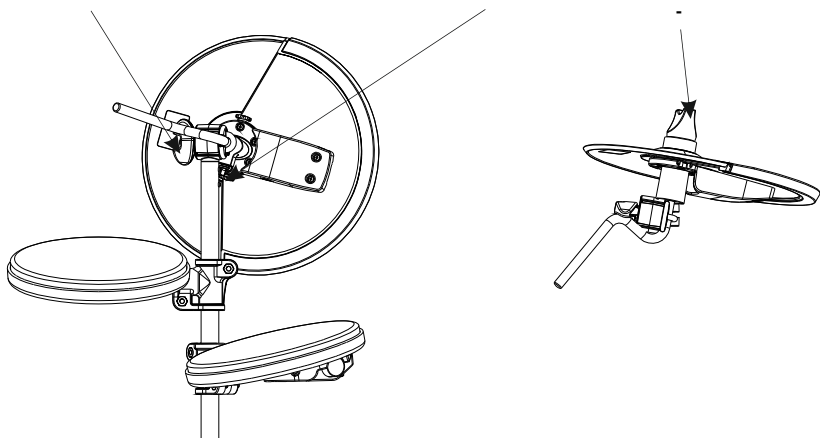
6).  
7).  
8).

1.



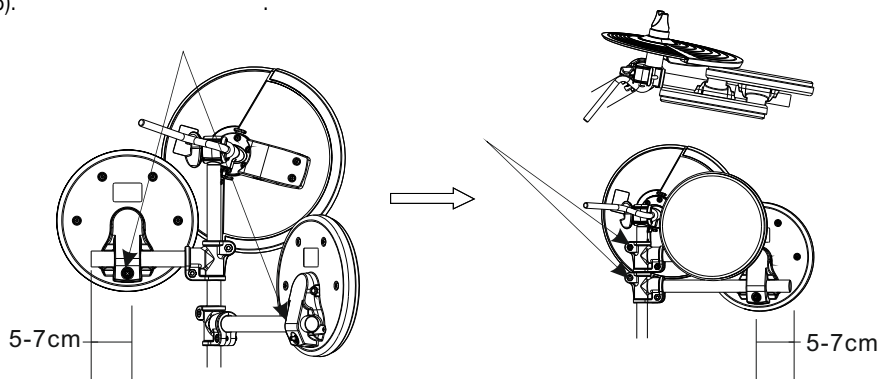
## RIDE

- 1)
- 2)
  - a.
  - b.

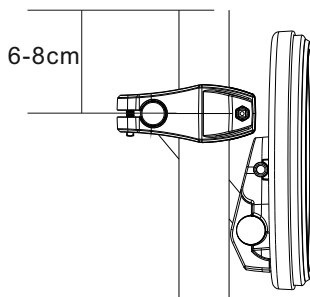
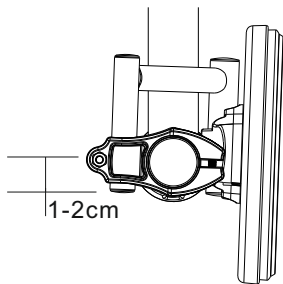


## TOM 2 TOM 3

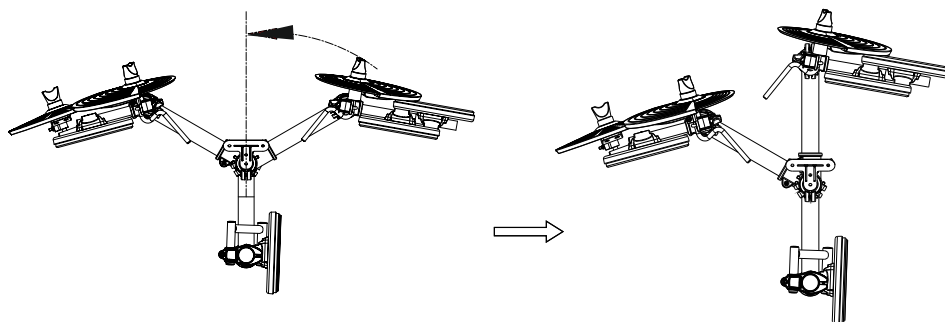
- 1).
  - 2).
  - 3).
  - 4).
  - 5).
- 2 3.



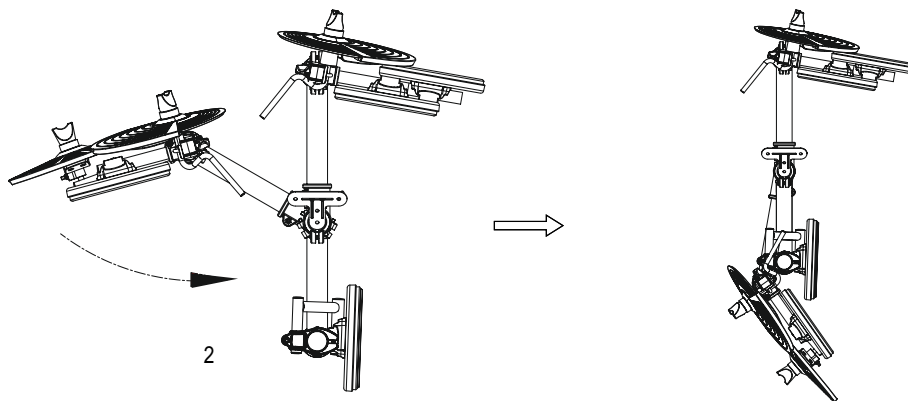
- 1).
- 2).
- 3).
- 4).



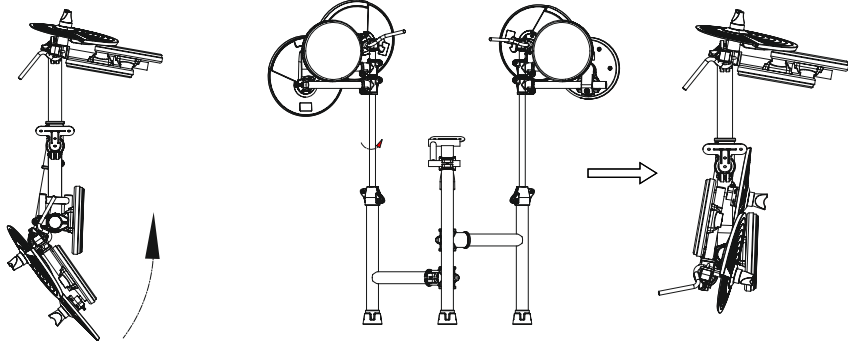
- 1).
- 2).



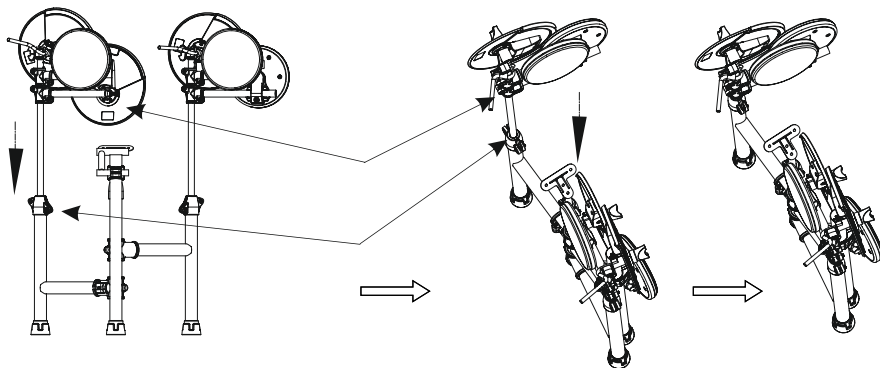
- 3).



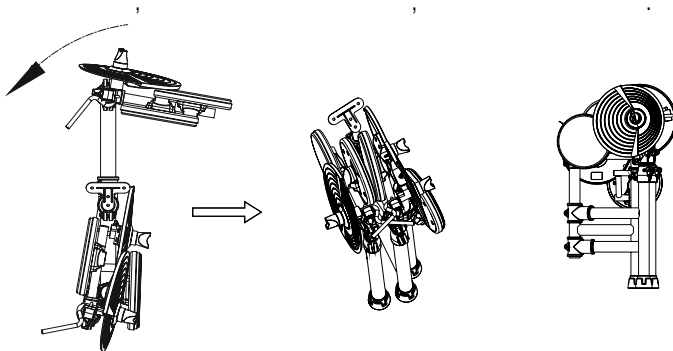
- 4).



5).

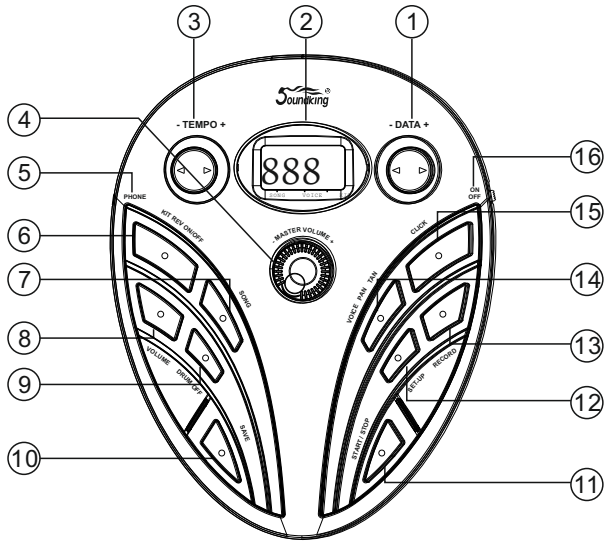


6).



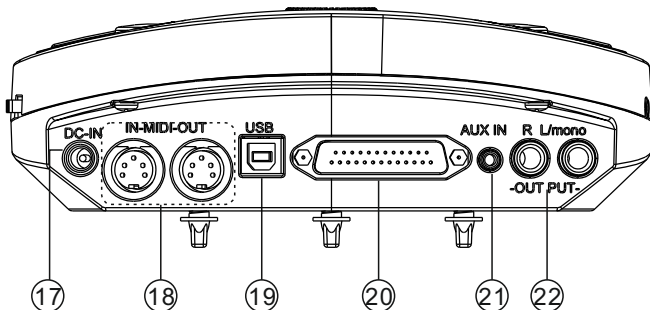
( ) .





- |   |                 |   |                   |
|---|-----------------|---|-------------------|
| ① | -DATA+          | ⑨ | DRUM OFF<br>/     |
|   | .. (            | ⑩ | SAVE              |
|   | )               |   |                   |
| ② |                 |   |                   |
| ③ | -TEMPO+         | ⑪ | START / STOP<br>/ |
|   | (               |   |                   |
|   | )               |   |                   |
| ④ | -MASTER VOLUME+ | ⑫ | SET-UP            |
| ⑤ | PHONE           | ⑬ | RECORD            |
| ⑥ | KIT REV ON/OFF  | ⑭ | VOICE VOL/PAN/TUN |
|   | /               |   |                   |
| ⑦ | SONG            | ⑮ | CLICK             |
| ⑧ | VOLUME          | ⑯ | ON/OFF            |

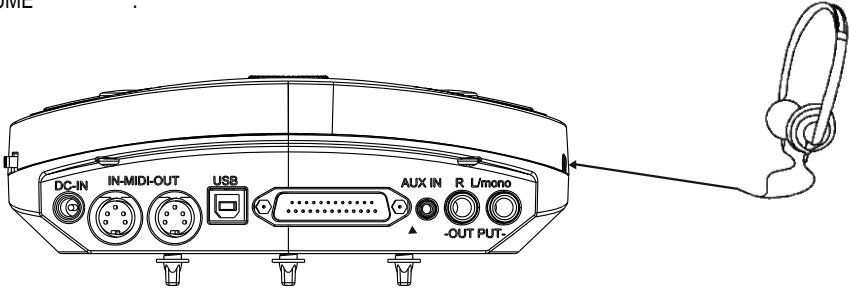




- ①⑦ DC-In
- ①⑧ MIDlin/out  
MIDI (MIDI  
MIDI MIDI OUT  
MIDI IN.)
- ①⑨ USB  
MIDI
- ②① AUX IN  
MP3 CD
- ②② OUTPUT (R & L/MONO)  
L/R  
L/ MONO

1/8".

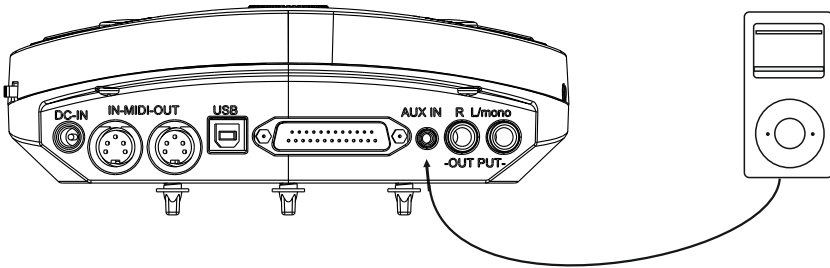
VOLUME

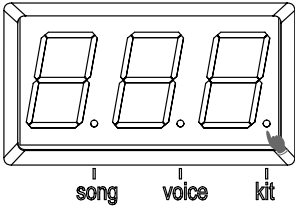


MP3 CD

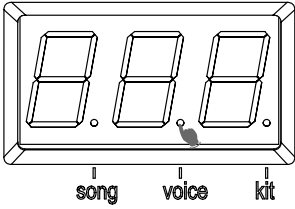
MP3 CD

AUX IN

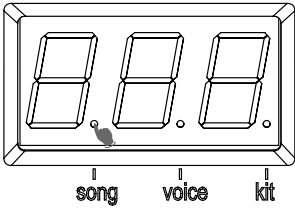




Kit,



Voice,



Song,

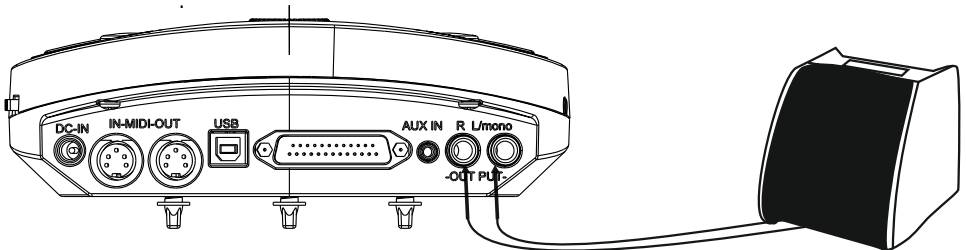
4.

( L/mono R, EDA).

- 1). L/mono
- 2).

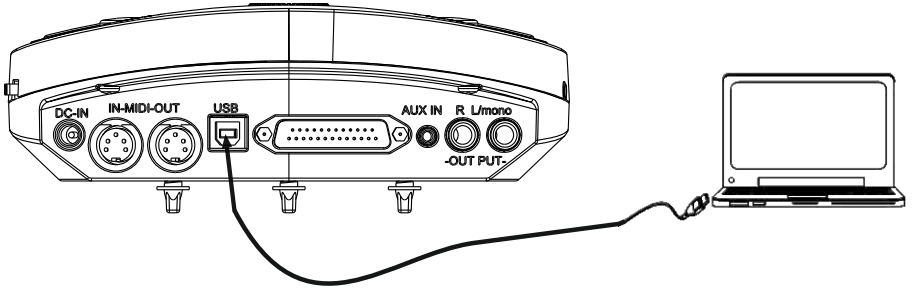
- L/mono R.

VOLUME



1).

USB  
MIDI

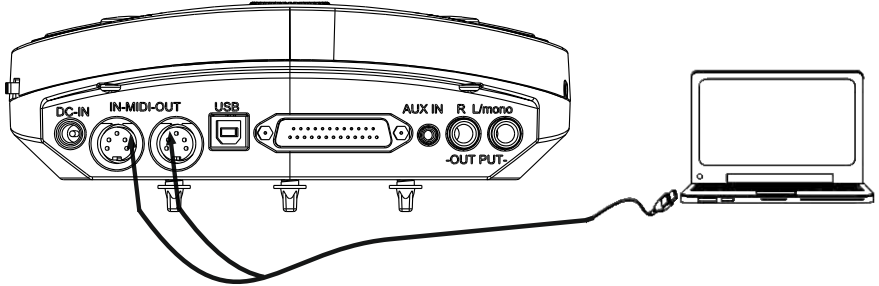


2).

MIDI IN:  
MIDI OUT:

MIDI  
MIDI

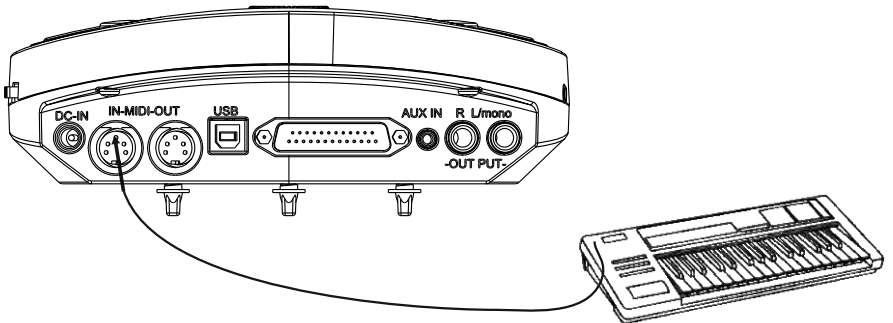
MIDI



### MIDI

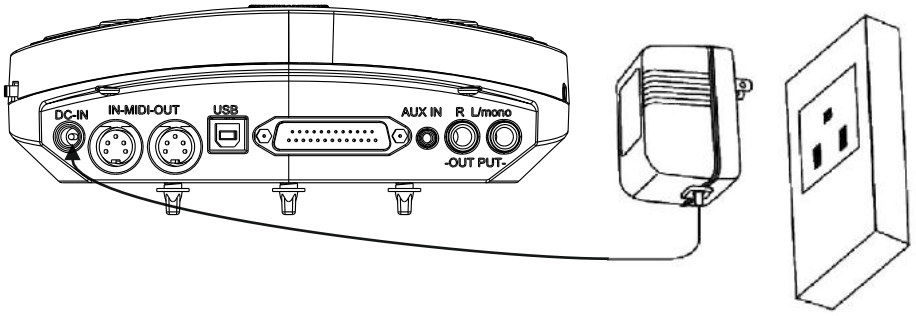
MIDI:                  MIDI                  MIDI

MIDI



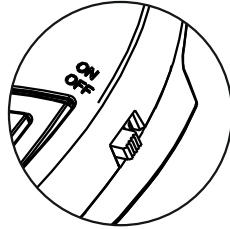
- 1).
- 2).
- 3).

DC IN.

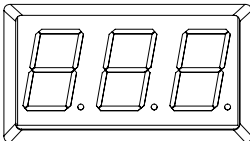


5.

1).

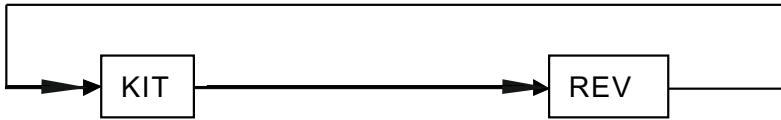


2).



song voice kit

1). [KIT REV ON/OFF]



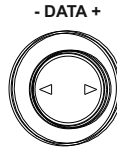
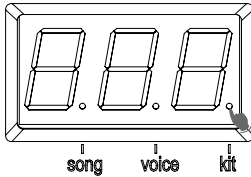
2). [KIT REV ON/OFF]

KIT.

[-DATA+].

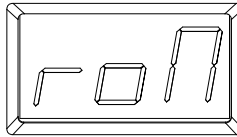
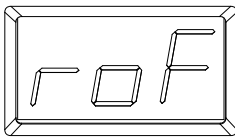
: KIT01---20

: USER01---10



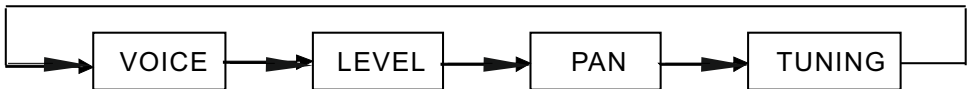
3). [KIT REV ON/OFF]

[-DATA+] ( )



[VOICE VOL/PAN/TUN]

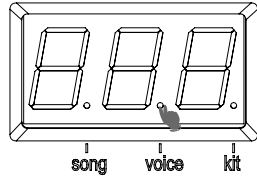
: voice ( ), level ( ), pan ( ), tuning ( ).



Voice: 250

1) [VOICE VOL/PAN/TUN]

VOICE.



[-DATA+]

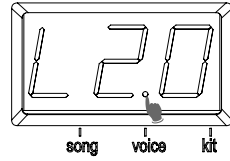
2). ( 001 250).

1). [VOICE VOL/PAN/TUN]  
"L",

VOICE

2). [-DATA+].

00-32.

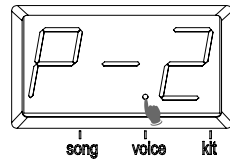


1). [VOICE VOL/PAN/TUN]  
"P",

VOICE

2). [-DATA+].

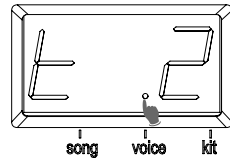
0 8.



1). [VOICE VOL/PAN/TUN]  
"t",

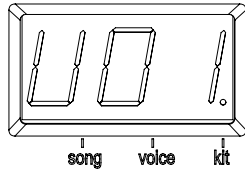
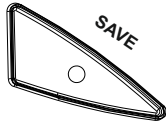
VOICE

2). [-DATA+].



1). [SAVE] U01 U10 [-DATA+].

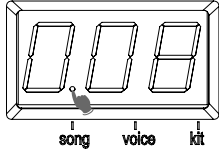
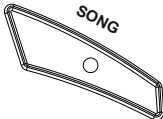
2).  
3). [SAVE]



\_\_\_\_\_

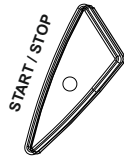


1). [SONG] SONG 1 20 [-DATA+].



1). [START/STOP] [-DATA+].

2). [START/STOP]. [START/STOP]

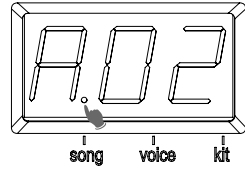
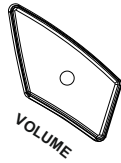


MIDI : MIDI \_\_\_\_\_



1). [ACCOMP VOLUME] "A",  
SONG  
2). 0-32 [-DATA+].



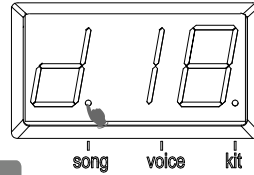
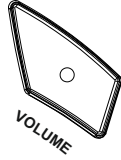


1). [ACCOMP VOLUME]  
"d",

2). SONG

0-32

[-DATA+]

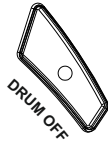


[-TEMPO+]

[DRUM OFF]

"DRUM OFF",

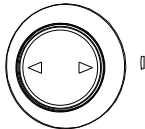
"DRUM OFF".



1). [-TEMPO+]  
35-280

2). 2

- TEMPO +



1). / [CLICK].

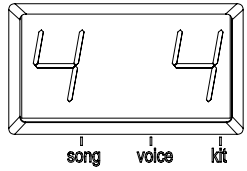
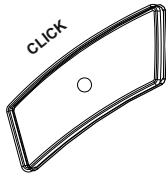
[CLICK]

2). (2/4, 3/4, 4/4, 5/4, 6/8).

[-DATA+].

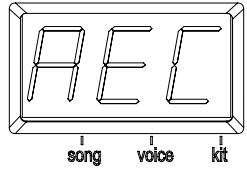
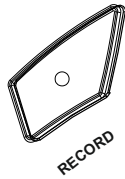
3)

[MASTER VOLUME].



6.

- 1). [RECORD], [RECORD] "REC".
- 2).
- 3). [RECORD]. [RECORD]



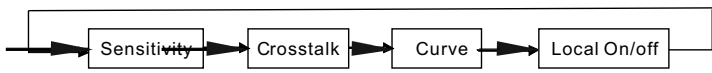
- 1).
- 2).
- 3). [CLICK].
- ( [RECORD].

7.

- 1). [RECORD] [START/STOP] [START/STOP]
- 2). [START/STOP] [RECORD]

7.

[UTILITY]

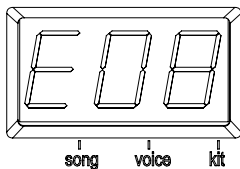
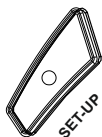


- 1). [UTILITY] (sensitivity). "E"
- 2).

3).

01-08

[-DATA+].

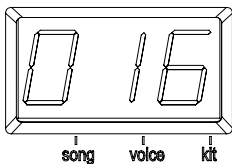


( )

( rosstalk)

1). [SET UP]

2). [-DATA+], 01-16



1). [SET UP] (curve).

2). "CU", (1-6) [-DATA+].

(Curve)

3). CURVE 1:

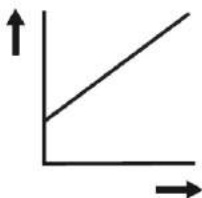
CURVE2:

CURVE3: CURVE 2,

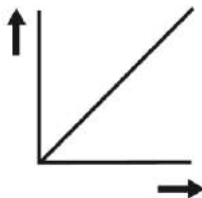
CURVE4: CURVE 2,

CURVE5: CURVE 2,

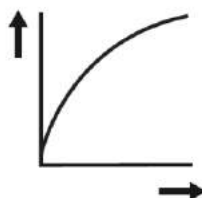
CURVE6:



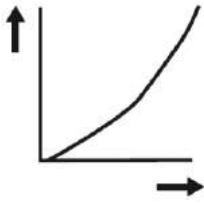
CURVE1



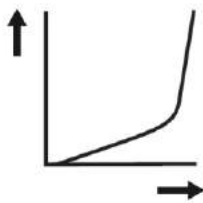
CURVE2



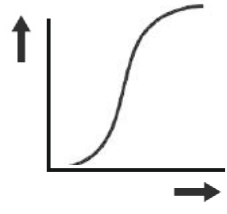
CURVE3



CURVE4

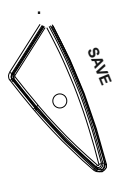


CURVE5



CURVE6

[SAVE]



1).

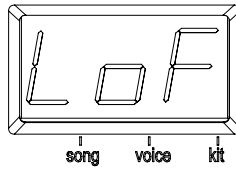
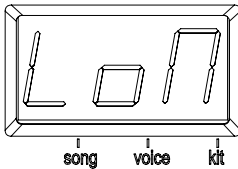
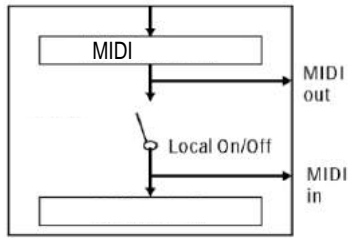
[SET UP]

("Lon")

(local).

("Lof").

[-DATA+].



( ),

MIDI

MIDI

8.

[TEMPO+] [SET UP].

9. MIDI

MIDI

( )

GM,

MIDI

MIDI :

MIDI

MIDI

MIDI :

MIDI

MIDI

USB:

USB MIDI

XP, Win7, Vista, Mac OSX .

USB

(USB

MIDI

).

: USB

, MIDI

USB.

MIDI

10;

( : )

1).

MIDI OUT

USB.

2).

MIDI

MIDI-

10

3).

4).

MIDI  
MIDI

USB

MIDI IN

GM.

MIDI).

( MIDI

MIDI

	Function...	Transmitted	Recognized	Remarks
Basic Channel	Default Changed	10 ch X	1-16 X	
Mode	Default Messages Altered	X *****	X *****	
Note Number:	True voice	0-127 *****	0-127 0-127	
Velocity	Note on Note off	O 99H, V=1-127 O (9 9H. V=0)	0-127 0-127	
After Touch	Key's Channel's	X X	X X	
Pitch Bend		X	O	
Control Change	0 1 5 6 7 10 11 64 65 66 67 80 81 91 93 120 121 123	X X X X X X X X X X X X X X X X X	O O O O O O O O O O O O O O O O O	Bank Select Modulation Portamento Time Data Entry Volume Pan Expression Sustain Pedal Portamento ON/OFF Sostenuto Pedal Soft Pedal Reverb Program Chorus Program Reverb Level Chorus Level All Sound OFF Reset All Controller All Notes OFF
Program Change		X	O	
System Exclusive		X	O	
System Common	: Song Position : Song Select : Tune	X X X	X X X	
System Real Time	: Clock : Commands	O O	X X	START \ STOP
Aux Messages	: Local ON/OFF : All Notes OFF : Active Sense : Reset	X X O X	X X X X	

O : YES

X : NO

10.

1. , .  
2. , 0.  
, 0.  
, 0.

11.

: 32  
: 20 (KIT01---20)  
15 (USER01---15)  
: 250 ( , )  
:  
: 20  
:  
: 035---280 ( )  
:  
: (1/8"),  
AUX IN (1/4" L/mono R),  
USB,MIDI IN/MIDI OUT  
: 9  
: 244\*195\*72 ( \* \* )  
: 0,5  
\*

NO.	PRESET DRUM KIT	NO.	USER DRUM KIT
1	POP1	1	POP1
2	POP2	2	POP2
3	POP3	3	POP3
4	ROCK1	4	ROCK1
5	ROCK2	5	ROCK2
6	ROCK3	6	ROCK3
7	FUNK1	7	FUNK1
8	FUNK2	8	FUNK2
9	FUNK3	9	FUNK3
10	LATIN1	10	LATIN1
11	LATIN2		
12	JAZZ1		
13	JAZZ2		
14	BRUSH		
15	ORCH		
16	DANCE1		
17	DANCE2		
18	EAST1		
19	EAST2		
20	PERCUSSION		



	NO.	NAME
KICK	1	KICK1
	2	KICK2
	3	KICK3
	4	JAZZBD2
	5	LTBD1
	6	POPKICK1
	7	POPKICK2
	8	POPKICK3
	9	POPKICK4
	10	POPKICK5
	11	POPKICK6
	12	POPKICK7
	13	ACKICK
	14	SYNBD02
	15	EKICK05
	16	NOISEBD
•	17	EKICK01
•	18	EKICK02
•	ŷ	ŷ
ACOUSTIC SNARE	19	BRSHSN1
	20	FNKSN1
	21	FNKSN2
	22	POPSN1
	23	HRDBT1
	24	JZSLP1
	25	JZSLP2
	26	ORCHSN3
	27	SDSTK3
	28	SNRIM
	29	HVSN
	30	TITESN1
	31	TITESN2
	32	TITESN3
	33	POPSN2
	34	TITESN4
	35	TITESN5
	36	TRDSN1
	37	SNCOMBO3
	38	SNCOMBO4
	39	SNCOMBO5
	40	SNCOMBO6

	41	SRSTD
	42	SRIMC4
	43	POPSN1
	44	POPSN2
	45	POPSN3
	46	POPSN4
	47	POPSN5
	48	POPSN5
°	Ÿ	Ÿ
ELECTRIC SNARE	49	SYNSN01
	50	ESN11
	51	ESN1
	52	ESN2
	53	ESN3
	54	ESN4
	55	ESN5
	56	ESN6
	57	ESN7
	Ÿ	Ÿ
HI-HAT	58	CHH1
	59	CHH2
	60	CHH3
	61	CHH4
	62	CHH5
	63	CHH6
	64	CHH7
	65	CHH8
	66	LOOSHH1
	67	LOOSHH2
	68	LOOSHH3
	69	LOOSHH4
	70	OHHSTD
	71	OHIHAT1
	72	OHIHAT2
	73	OHIHAT3
	74	OHIHAT4
	75	OHIHAT5
	76	PHHJZ
	77	PHH2
	78	PHH3
	79	CHHPOP1
	80	CHHPOP2
	81	CHHPOP3
	82	CHHPOP4

EHH	83	EHH01
	84	EHH02
	85	EHH03
	86	EHH04
	87	EHH05
	88	EHH06
	89	EHH07
o	Ÿ	Ÿ
TOM	90	BRSHT1
	91	BRSHT2
	92	BRSHT3
	93	TOM1
	94	TOM2
	95	TOM3
	96	TOM4
	97	TOM5
	98	TOM6
	99	TOM7
	100	TOM8
	101	TOM9
	102	TOMHSTD
	103	TOMMSTD
	104	TOMPOP1
	105	TOMPOP2
	106	TOMPOP3
	107	TOMPOP4
	108	TOMPOP5
	109	TOMPOP6
	110	808T1
	111	808T2
	112	808T3
	113	ETOM05
CYMBAL	Ÿ	Ÿ
	114	CRASH1
	115	CRASH9
	116	CRSHJS1
	117	CRSHJS2
	118	CRSHSTD1
	119	CRSHSTD2
	120	LTCRSH1
	121	LTCRSH2
	122	LTCRSH3
	123	ORCCYM1
	124	ORCCYM2

	125	ORCCYM3
	126	ORCCYM4
	127	RBLLSTD
	128	RIDEBELL
	129	REVCYM1
	130	REVCYM2
	131	REVCYM3
	132	REVCYM4
	133	RIDEJZ1
	134	RIDEJZ2
	135	RIDESTD
	136	RIDE1
	137	RIDE2
	138	REVCYMBAL
	139	SPLSH1
	140	SPLSH2
	141	CRASHC1
	142	CNCYMBAL
	143	CRASHPOP1
	144	CRASHPOP2
	145	CRASHPOP3
	146	CRASHPOP4
	147	SPLASHC
	148	RIDELC2
	149	RIDEH1
	150	RIDEH2
	151	ECRASH1
	152	ECRASH2
	153	ECRASH3
	154	ECRASH4
	155	SPLASH
PERCUSSION	Ÿ	Ÿ
o	156	EMRCA1
	157	EMTRI
	158	ETRNGL1
	159	ETRNGL2
	160	EBELL1
	161	ECBSA2
	162	ETMBRIN1
	163	ETMBRIN2
	164	CABASA1
	165	CABASA2
	166	CHKR01
	167	CHKR02

	168	CHKR03
	169	CLAP1
	170	CLAP2
	171	CLAP3
	172	CLAP4
	173	COWBLL1
	174	COWBLL2
	175	COWBLL13
	176	COWBLL14
	177	COWBLL15
	178	HAGOGO1
	179	HAGOGO2
	180	HAGOGO3
	181	HIBNGO01
	182	HIBNGO02
	183	HTMBL1
	184	HTMBL2
	185	HTMBL3
	186	LOBNGO
	187	LOCNGA01
	188	LOCNGA02
	189	MHCNGA03
	190	MTRNGL
	191	OHCNGA01
	192	OHCNGA02
	193	OHCNGA03
	194	OHCNGA04
	195	OPNTRNGL
	196	TMBRN1
	197	TMBRN2
	198	TMBRN3
	199	TMBRN4
	200	TMBRN5
	201	VSLP03
	202	CNBGONG
	203	CNLCYMBL
	204	CNLDRM1
	205	CNLDRM2
	206	CNSCYMBL
	207	CNSDRM
	208	CNSGONG
	209	SUPRGNG
	210	TAIKO1
	211	TAIKO2

	212	TAIKO3
	213	TAIKO4
	214	TAIKOSD1
	215	TAIKOSD3
	216	CHIM1
	217	CHIM2
	218	STICK2
	219	TIM1
	220	TIM2
	221	TIM3
	222	TIM4
	223	TIM5
	224	TMPNS3
	225	BELLTREE
	226	High Q
	227	SLAP
	228	SCRATCH PUSH
	229	SCRATCH PULL
	230	STICKS
	231	CLIP
	232	METRONOME CLICK
	233	METRONOME BELL
	234	SHAKER
	235	JINGLEBELL
	236	CASTANETS
	237	MUTESURDO
	238	OPNSURDO
	239	L0TML1
	240	LAGOGO1
	241	MRCAS1
	242	SWHSL1
	243	LWHSL1
	244	SQUIRO
	245	LGUIRO
	246	CLV
	247	HWBLK
	248	LWBLK
	249	MCUICA
	250	OCUICA

## GM

Note No.	Standard name	Voice No.	Voice Name
27JD#1	High Q	226	High Q
28 E1	Slap	227	SLAP
29JF1	Scratch Push	228	SCRATCH PUSH
30JF#1	Scratch Pull	229	SCRATCH PULL
31JG1	Sticks	230	STICKS
32JG#1	Square Click	231	CLIP
33JA1	Metronome Click	232	METRONOME CLICK
34JA#1	Metronome Bell	233	METRONOME BELL
35JB1	Acoustic Bass Drum	13	ACKICK
36JC2	Bass Drum 1	1	KICK1
37JC#2	Side Stick	41	SRSTD
38JD2	Acoustic Snare	37	SNCOMBO3
39JD#2	Hand Clap	169	CLAP1
40JE2	Electric Snare	57	ESN7
41JF2	Low Floor Tom	103	TOMMSTD
42JF#2	Closed Hi Hat	60	CHH3
43JG2	High Floor Tom	100	TOM8
44JG#2	Pedal Hi-Hat	77	PHH2
45JA2	Low Tom	93	TOM1
46JA#2	Open Hi-Hat	70	OHHSTD
47JB2	Low-Mid Tom	99	TOM7
48JC3	Hi-Mid Tom	98	TOM6
49JC#3	Crash Cymbal 1	118	CRSHSTD1
50JD3	High Tom	95	TOM3
51JD#3	Ride Cymbal 1	135	RIDESTD
52JE3	Chinese Cymbal	142	CNCYMBAL
53JF3	Ride Bell	127	RBLLSTD
54JF#3	Tambourine	196	TMBRN1
55JG3	Splash Cymbal	139	SPLSH1
56JG#3	Cowbell	173	COWBLL1
57JA3	Crash Cymbal 2	120	LTCRSH1
58JA#3	Vibraslap	201	VSLP03
59JB3	Ride Cymbal 2	136	RIDE1
60JC4	Hi Bongo	181	HIBNGO01
61JC#4	Low Bongo	186	LOBNGO
62JD4	Mute Hi Conga	189	MHCNGA
63JD#4	Open Hi Conga	191	OHCNGA01
64JE4	Low Conga	187	LOCNGA01

65JF4	High Timbale	183	HTMBL1
66JF#4	Low Timbale	239	L0TMBL1
67JG4	High Agogo	178	HAGOGO1
68JG#4	Low Agogo	240	LAGOGO1
69JA4	Cabasa	164	CABASA1
70JA#4	Maracas	241	MRCAS1
71JB4	Short Whistle	242	SWHSL1
72JC5	Long Whistle	243	LWHSL1
73JC#5	Short Guiro	244	SGUIRO
74JD5	Long Guiro	245	LGUIRO
75JD#5	Claves	246	CLV
76JE5	Hi Wood Block	247	HWBLK
77JF5	Low Wood Block	248	LWBLK
78JF#5	Mute Cuica	249	MCUICA
79JG5	Open Cuica	250	OCUICA
80JG#5	Mute Triangle	190	MTRNGL
81JA5	Open Triangle	195	OPNTRNGL
82JA#5	Shaker	234	SHAKER
83JB5	Jingle Bell	235	JINGLEBELL
84JC6	Bell Tree	225	BELLTREE
85JC#6	Castanets	236	CASTANETS
86JD6	Mute Surdo	237	MUTESURDO
87JD#6	Open Surdo	238	OPNSURDO



NO.	SONG	TYPE
1	SONG01	SHUFFLE
2	SONG02	FUNK
3	SONG03	POP
4	SONG04	FUNK
5	SONG05	BOSSA NOVA
6	SONG06	WALTZ
7	SONG07	FOLK
8	SONG08	ROCK BLUES
9	SONG09	COUNTRY
10	SONG10	JAZZ
11	SONG11	HARD ROCK
12	SONG12	HAVEY METAL
13	SONG13	BLUE GRASS
14	SONG14	POP ROCK
15	SONG15	COUNTRY ROCK
16	SONG16	FOLK ROCK
17	SONG17	SMOOTH JAZZ
18	SONG18	FUSSION
19	SONG19	COUNTRY BLUES
20	SONG20	BLUES

# **SOUNDKING AUDIO**

[WWW.SOUNDKING.COM](http://WWW.SOUNDKING.COM)

SOUNDKING.

SOUNDKING.

[WWW.POP-MUSIC.RU](http://WWW.POP-MUSIC.RU) 8-800-250-55-00