



# FLAT**PAR** 2

SLI-FLATPAR2

.....

:  
.  
,  
,  
,  
,  
.

4 : DMX  
: DMX,  
master/slave ( / ).  
master/slave.

!

!

!



1. 1

2.

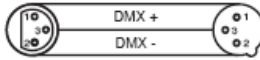
3. DMX512: DMX512  
Input (XLR ), Output  
(1 , 2 , 3 )

100 .

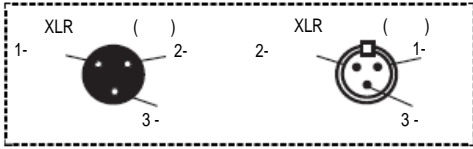
DMX512

IP , , .

XLR DMX512



DMX512 XLR

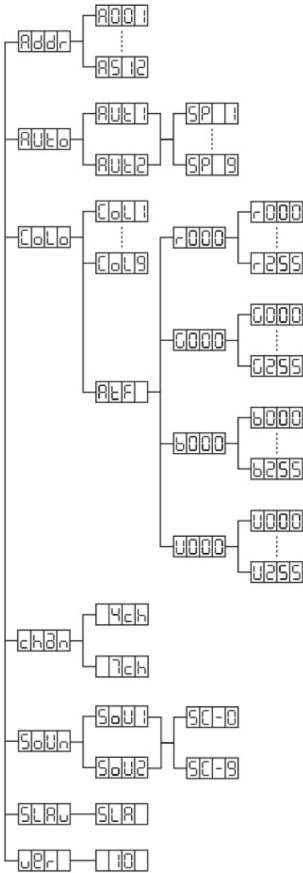


3

2
XLR
1 =
2 =
3 =



- 
- 
- 
- 
- 
- -
- 
- 4 7 DMX .
- 4 - , master/slave
- DMX
- DMX-512 ( 7 DMX ).
-



Addr - DMX

1. MENU  
UP DOWN , ENTER.
2. "Addr",  
"Axxx", "x"  
UP ( ) DOWN

Auto -

1. MENU  
UP DOWN , ENTER.
2. "Auto",  
"Autx".
3. , UP DOWN.  
ENTER, SPx.  
UP DOWN ,  
(SP1-SP9)

CoLo -

1. MENU UP DOWN ,  
"CoLo", ENTER.
2. "CoL X" ( " " 1-9)  
"AtF". UP DOWN ,  
"AtF". , ENTER
3. "AtF" ,

.....

"AtF", ENTER; "rxx" ( ), "Gxxx"  
 ( ), "bxxx" ( ) "Uxxx" ( ).  
 1-225; ENTER:  
 UP DOWN

Chan - DMX

1. MENU UP DOWN , "Chan",  
 ENTER.

2. "X Ch", "x" DMX  
 UP ( ) DOWN ( ),

Soun -

1. MENU , "Soun", ENTER.  
 2. "Soux". ,

UP DOWN.  
 3. "ENTER" , "SL-XX",  
 0 9, "UP" "DOWN"

SLav- / (master/slave).

1. MENU , "SLav", ENTER.  
 2. "Sla", slave. ,

VER -

1. MENU , "VER". ENTER  
 2. MENU

**DMX**

DMX-512 , Stagg Commandor.  
 DMX ,

.....

**DMX**

DMX : 4-

ch1	0--255	red (0%--100%)
ch2	0--255	green (0%--100%)
ch3	0--255	blue (0%--100%)
ch4	0--255	white (0%--100%)

DMX : 7-

Ch1	0 – 255	Dimmer ( 0% -- 100% )
Ch2	0 – 255	Red ( 0% -- 100% )
Ch3	0 – 255	Green ( 0% -- 100% )
Ch4	0 – 255	Blue ( 0% -- 100% )
Ch5	0 – 255	White ( 0% -- 100% )
Ch6	0 – 255	( - )
Ch7	0 – 15	
	16 – 37	
	38 – 60	
	61 – 83	
	84 – 106	
	107 – 129	
	130 – 152	
	153 – 175	
	176 – 198	
	199 – 221	
	222 – 244	1
	245 – 255	2

.....



- : 4- -1 8
- : 25°
- : 80000
- 0-100%
- : 0-20 ( )
- : 82,5
- (1 ): 6100 1
- DMX: 4 7 DMX .
- : ,4 ( - )
- : 100-240 . ,50-60 ( )
- :40°C
- : 300 x 325 x 150
- : 2,66

1. CE EMC (2004/108/CE), CE (93/68/EEC)  
(2006/95/EC).
2. « » WEEE (  
) (2002/96/EC).
3. «RoHS compliant» (2002/95EC)

09-10-2012 – 15.43

/

